

DeckLink 4K Extreme 12G



\$1,495

The ultimate digital cinema capture card featuring two full frame DCI 4K inputs and outputs via 12G-SDI! You get dual link multi rate 12G-SDI connections that work with SD, HD and Ultra HD even in Ultra HD 60p, as well as full frame DCI 4K at 4096 x 2160 resolution up to 25p! Capture 10-bit YUV or full color bandwidth 12-bit RGB. Includes AES/EBU audio, up, down and cross conversion, plus built in 3D stereoscopic output at full bandwidth 4:4:4:4 RGB! No other capture and playback card supports more video formats and video connections!

Connections

SDI Video Input

2 x 12Gb/s SD/HD/2K/4K. Supports single/dual link 4:2:2/4:4:4. 2D/3D switchable.

SDI Video Output

2 x 12Gb/s SD/HD/2K/4K. Supports single/dual link 4:2:2/4:4:4. 2D/3D switchable.

Analog Video Input

1 x Component YUV on 3 BNCs switchable to S-Video or Composite. Component supports HD and SD.

Analog Video Output

1 x Component YUV on 3 BNCs switchable to S-Video and Composite. Component supports HD and SD.

Analog Audio Input

2 Channels of professional balanced analog audio via XLR connectors.

Analog Audio Output

2 Channels of professional balanced analog audio via XLR connectors.

AES/EBU Audio Input

2 Channels unbalanced with sample rate converter.

AES/EBU Audio Output

2 Channels unbalanced.

SDI Audio Input

16 Channels embedded in SD/HD/2K/4K.

SDI Audio Output

16 Channels embedded in SD/HD/2K/4K.

HDMI Video Input

HDMI type A connector with support for 2160p60.

HDMI Video Output

HDMI type A connector with support for 2160p60.

HDMI Audio Input

8 Channels embedded in SD/HD/4K.

HDMI Audio Output

8 Channels embedded in SD/HD/4K.

Sync Input

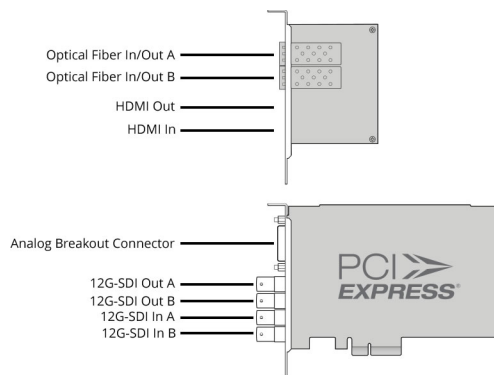
Black burst in SD, 720p50, 720p59.94, 1080i50 and 1080i59.94 formats or Tri-Sync in any HD format.

Device Control

Sony™ compatible RS422 deck control port. Serial ports TxRx direction reversible under software control.

Computer Interface

PCI Express 8 lane Gen 2, compatible with 8 and 16 lane PCIe with HDMI or SDI mezzanine card.



Codecs

Supports: AVC-Intra, AVCHD, Canon XF MPEG2, Digital SLR, DV-NTSC, DV-PAL, DVCPRO50, DVCPROHD, DPX, HDV, XDCAM EX, XDCAM HD, XDCAM HD422, Apple ProRes 4444, Apple ProRes 422 HQ, Apple ProRes 422, Apple ProRes LT, Apple ProRes 422 Proxy, Uncompressed 8-bit 4:2:2, Uncompressed 10-bit 4:2:2, Uncompressed 10-bit 4:4:4.

Software

Software Included

Media Express, Disk Speed Test, LiveKey, Blackmagic Desktop Video and Blackmagic driver on Mac OS X. Media Express, Disk Speed Test, LiveKey, Blackmagic Desktop Video and Blackmagic driver on Windows 7 and Windows 8. Media Express, Blackmagic Desktop Video and Blackmagic driver on Linux.

Internal Software Upgrade

Firmware built into software driver. Loaded at system start or via updater software.

Physical Installation

PCI Express 8 lane generation 2, compatible with 8 and 16 lane PCI Express slots on Mac OS X, Windows and Linux. Mac OS X systems require a Mac Pro computer with PCI Express slots. Please check the Support pages to see the full system requirements.

Software Applications



DaVinci Resolve



Fusion



Final Cut Pro X



Premiere Pro CC



Avid Media Composer



After Effects CC



Avid Pro Tools



Steinberg Cubase



Autodesk Smoke



Photoshop CC

Nuke, Steinberg Nuendo, Avid Symphony, Avid News Cutter, Tools On Air just:in & live:cut & just:play & just:live, Softron OnTheAir, MovieRecorder and OnTheAir CG, Flash Media Live Encoder, Flash Media Live Encoder, Wirecast, Livestream Procaster, Resolume Avenue 4, Sony Vegas Pro, Corel VideoStudio Pro X4, CyberLink Power Director, MAGIX Video Pro X4, Vidblaster Pro & Studio & Broadcast, Uniplay, Playbox AirBox, CasparCG, Magicsoft CG, Xsplit Broadcaster, Imagine Communications Velocity & InfoCaster.

Video Standards

SD Format Support

525i29.97 NTSC, 625i25 PAL.

HD Format Support

720p50, 720p59.94, 720p60
1080p23.98, 1080p24, 1080p25,
1080p29.97, 1080p30, 1080p50,
1080p59.94, 1080p60
1080PsF23.98, 1080PsF24, 1080PsF25,
1080PsF29.97, 1080PsF30
1080i50, 1080i59.94, 1080i60

2K Format Support

2K DCI 23.98p, 2K DCI 24p, 2K DCI 25p
2K DCI 23.98PsF, 2K DCI 24PsF, 2K DCI
25PsF

Ultra HD Format Support

2160p23.98, 2160p24, 2160p25,
2160p29.97, 2160p30, 2160p50,
2160p59.94, 2160p60

4K Format Support

4K DCI 23.98p, 4K DCI 24p, 4K DCI 25p

SDI Compliance

SMPTE 292M, SMPTE 259M,
SMPTE 296M, SMPTE 372M,
SMPTE 425M level A, SMPTE 425M
level B, SMPTE 435, ITU-R BT.656 and
ITU-R BT.601.

SDI Metadata Support

VANC capture and playback using up
to 3 lines of video in file. HD RP188.
Closed captioning.

Audio Sampling

Television standard sample rate of 48
kHz at 24-bit.

SDI Video Sampling

4:2:2, 4:4:4 and 4:4:4:4.

SDI Color Precision

8, 10, 12-bit RGB 4:4:4 in all modes up
to UHD 30p, and 8, 10-bit YUV 4:2:2 in
all modes

Color Space

REC 601, REC 709

HDMI Configuration

HDMI 2.0 supports Deep Color, HDR
and REC 2020, and automatically
configures to connected display.

Multiple Rate Support

HDMI and SDI video connections are
switchable between SD/HD/2K and
4K. Component analog video
connections are switchable between
SD and HD.

Copy Protection

HDMI input is unable to capture from
copy protected HDMI sources. Always
confirm copyright ownership before
capture or distribution of content.

Processing

Ultra HD Down Conversion

Built in, high quality hardware down
converter outputs Ultra HD to HD or HD
to SD downconverted signal on SDI B and
SD on Composite and S-Video. Switch
analog video to Component and choose
HD or SD output. Selectable between
letterbox, anamorphic 16:9 and center cut
4:3 styles.

HD Up Conversion

Built in, high quality hardware up
conversion from SD to 720HD or
1080HD on playback. Selectable
between 4:3 pillarbox, 14:9 zoom and
16:9 zoom.

HD Cross Conversion

Built-in, high quality hardware cross
conversion from 720HD to 1080HD,
1080HD to 720HD on playback.

Real Time Effects

DaVinci Resolve, Final Cut Pro X
internal effects. Premiere Pro CC
Mercury Playback Engine effects. Avid
Media Composer internal effects.

Colorspace Conversion

Hardware based real time on output.

3D Processing

Dual stream and frame packed
capture and playback.

Operating Systems



Mac OS X 10.9 Mavericks,
Mac OS X 10.10 Yosemite,
Mac OS X 10.11 El Capitan
or later.



Windows 8.1 or
Windows 10.



Linux

EMC Certifications

FCC, CE and C-Tick

Environmental Specifications

Operating Temperature

5° to 40° C (41° to 104° F)

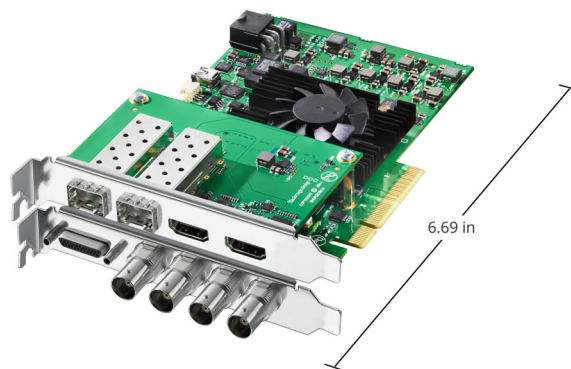
Storage Temperature

-20° to 45° C (-4° to 113° F)

Relative Humidity

0% to 90% non-condensing

Physical Specifications



LB
0.66 lb

What's Included

DeckLink 4K Extreme 12G

HDMI mezzanine card

SD card with software and manual

Breakout cable for analog and RS-422 control.

External power cable

Warranty

3 Year Limited Manufacturer's Warranty.

All items on this website are copyright Blackmagic Design Pty. Ltd. 2016, all rights reserved.
All trademarks are property of their respective owners. MSRP excludes sales taxes/duties and shipping costs.

Blackmagic Design Authorized Reseller